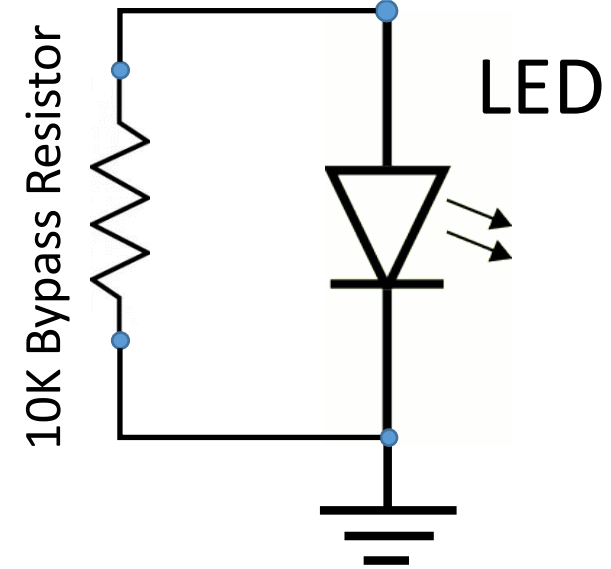
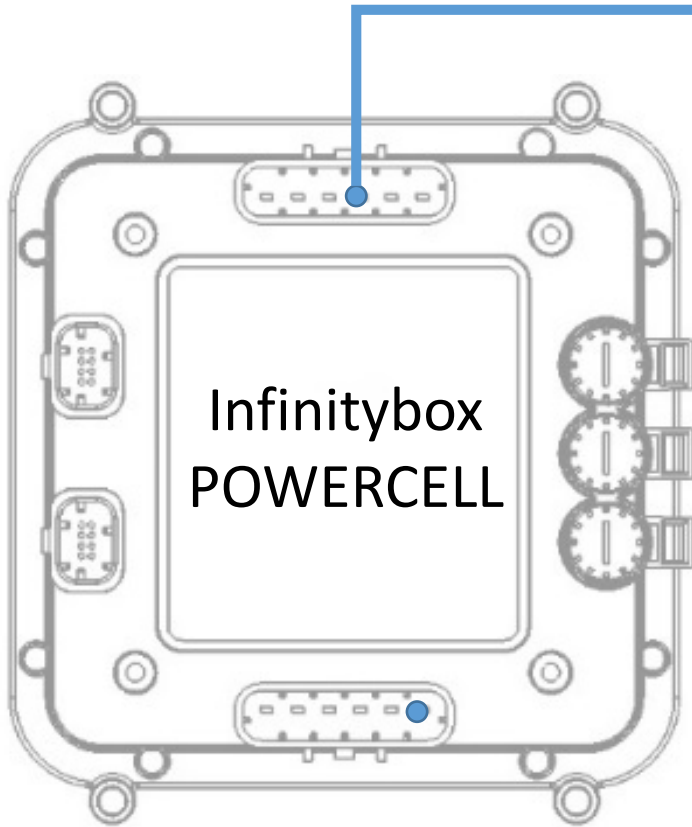


## Wiring an LED Bypass Resistor



\*NOTES: -Infinitywire wire colors & connector positions will vary for different kits. See the Configuration Sheet that came with your kit for exact wire colors and locations.  
-Some wires omitted for clarity. See the manuals for complete wiring diagrams and connections.

