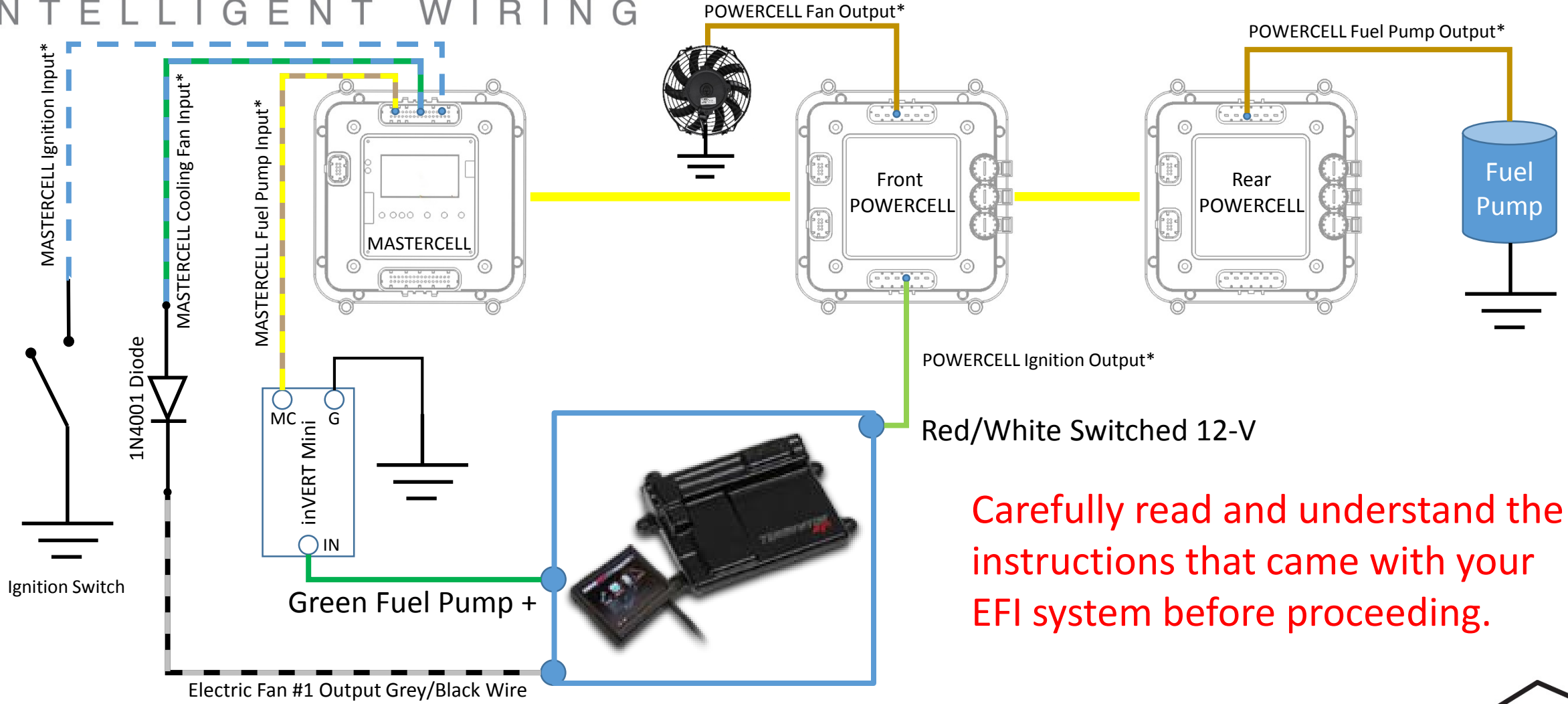


Wiring the Holley Terminator EFI



Carefully read and understand the instructions that came with your EFI system before proceeding.

*NOTE: Infitwire wire Colors & Connector Positions will vary for different kits. See the Configuration Sheet that came with your kit for exact wire colors and locations.
 **NOTE: MASTERCELL inputs must be ground switched. Applying 12-volts directly to an input will damage the MASTERCELL and void the warranty. Use an Infinitywire inVERT Mini (as shown) or a relay to convert the fuel pump trigger to a ground trigger for the MASTERCELL.

