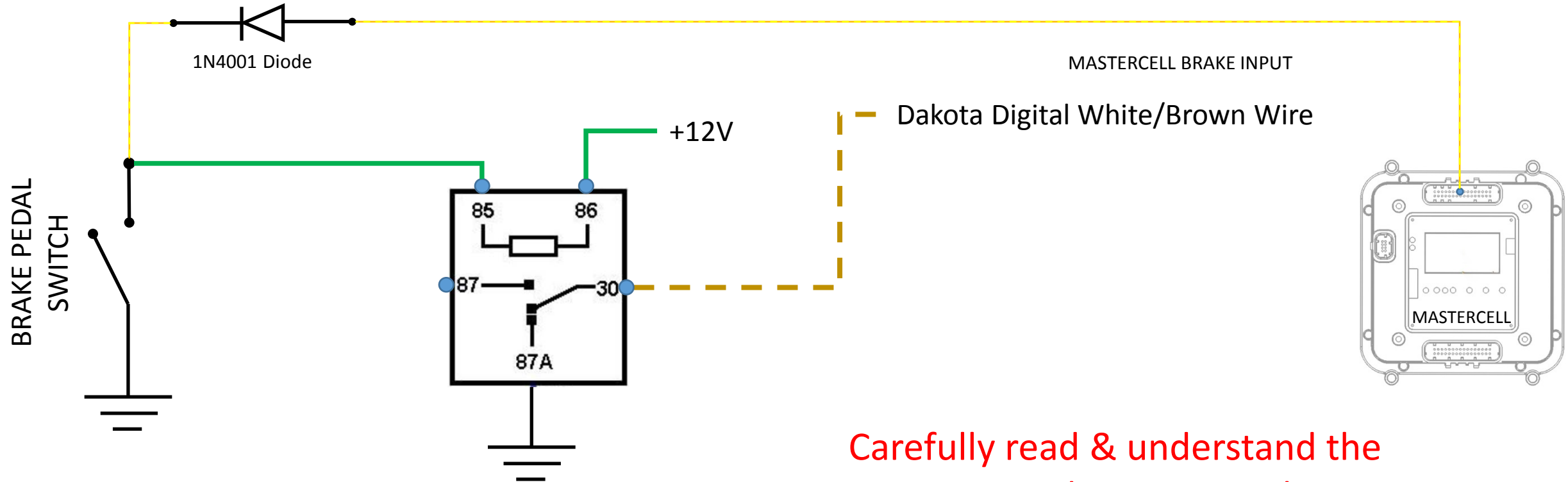


Dakota Digital CRC 1000 Cruise Cancel



Carefully read & understand the instructions that came with your Cruise Control system before proceeding.

- Connect the Blue Brake (+) Wire to Constant Battery Power
- See the Dakota Digital Instructions for details on how to connect the rest of the wires in their harness

*NOTE: Infitwire wire Colors & Connector Positions will vary for different kits. See the Configuration Sheet that came with your kit for exact wire colors and locations.

**NOTE: MASTERCELL inputs must be ground switched. Applying 12-volts directly to an input will damage the MASTERCELL and void the warranty.

