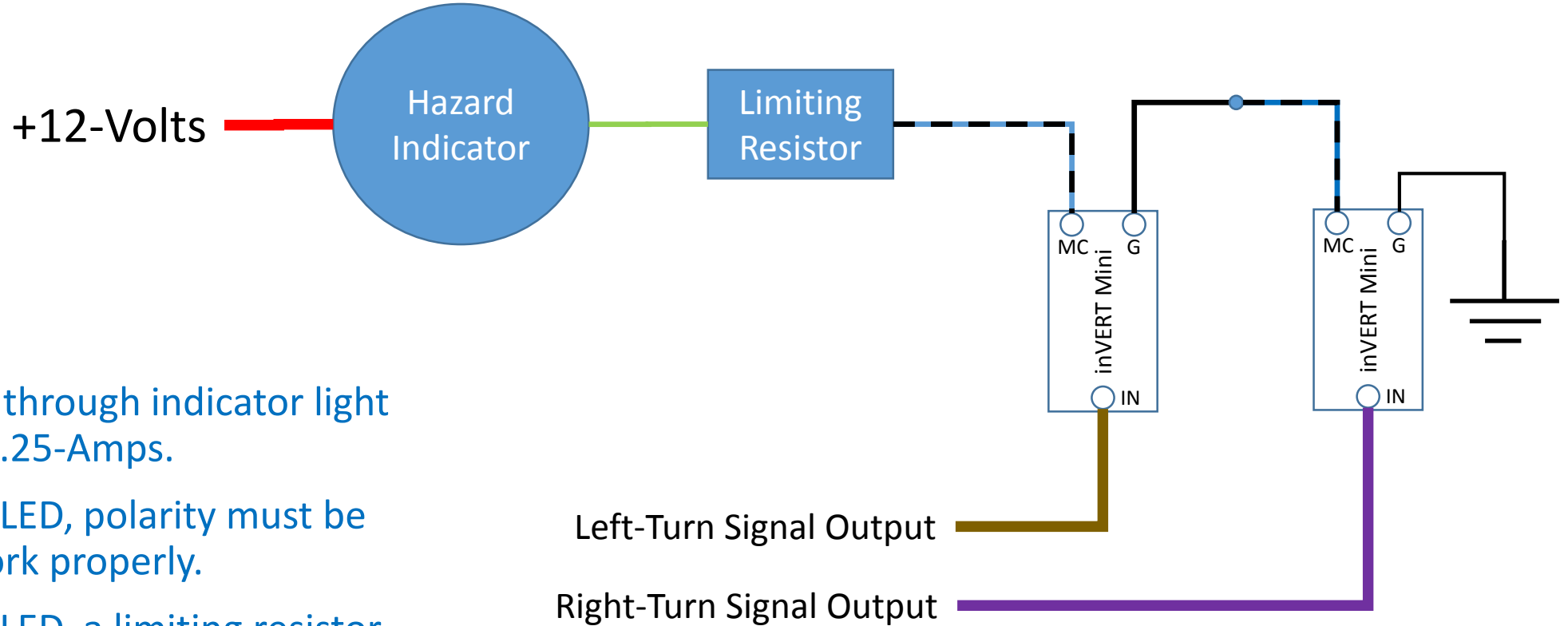


Hazard Indicator with inVERTs



- Maximum current through indicator light must not exceed 0.25-Amps.
- If indicator light is LED, polarity must be correct for it to work properly.
- If indicator light is LED, a limiting resistor must be used in series or LED will be damaged.

