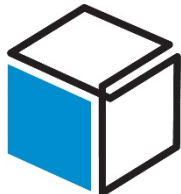
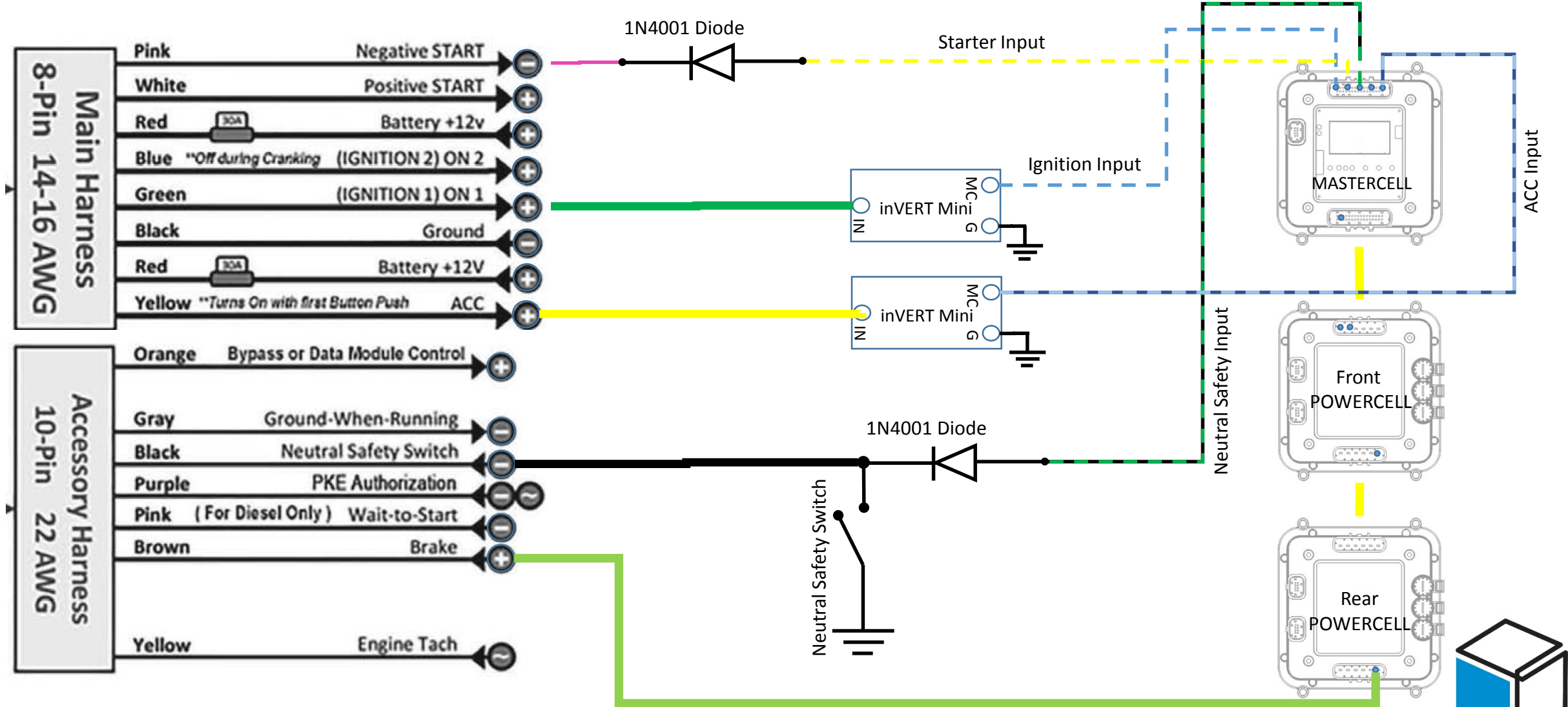
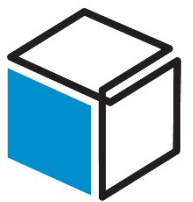
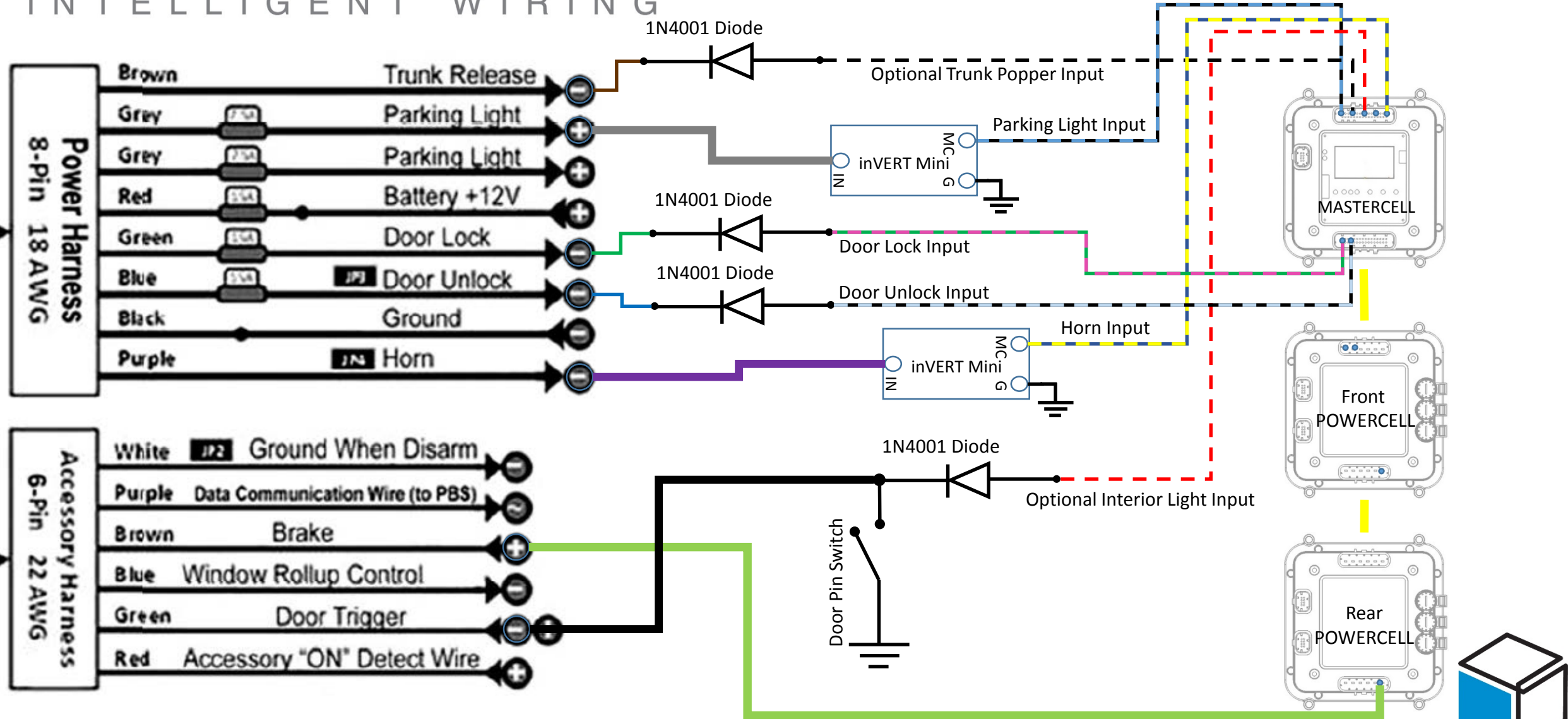


Wiring the Digital Guard Dawg- Push Button Start



*NOTE: Infitwire wire Colors & Connector Positions will vary for different kits. See the Configuration Sheet that came with your kit for exact wire colors and locations.

Wiring the Digital Guard Dawg- PKE



*NOTE: Infitwire wire Colors & Connector Positions will vary for different kits. See the Configuration Sheet that came with your kit for exact wire colors and locations.