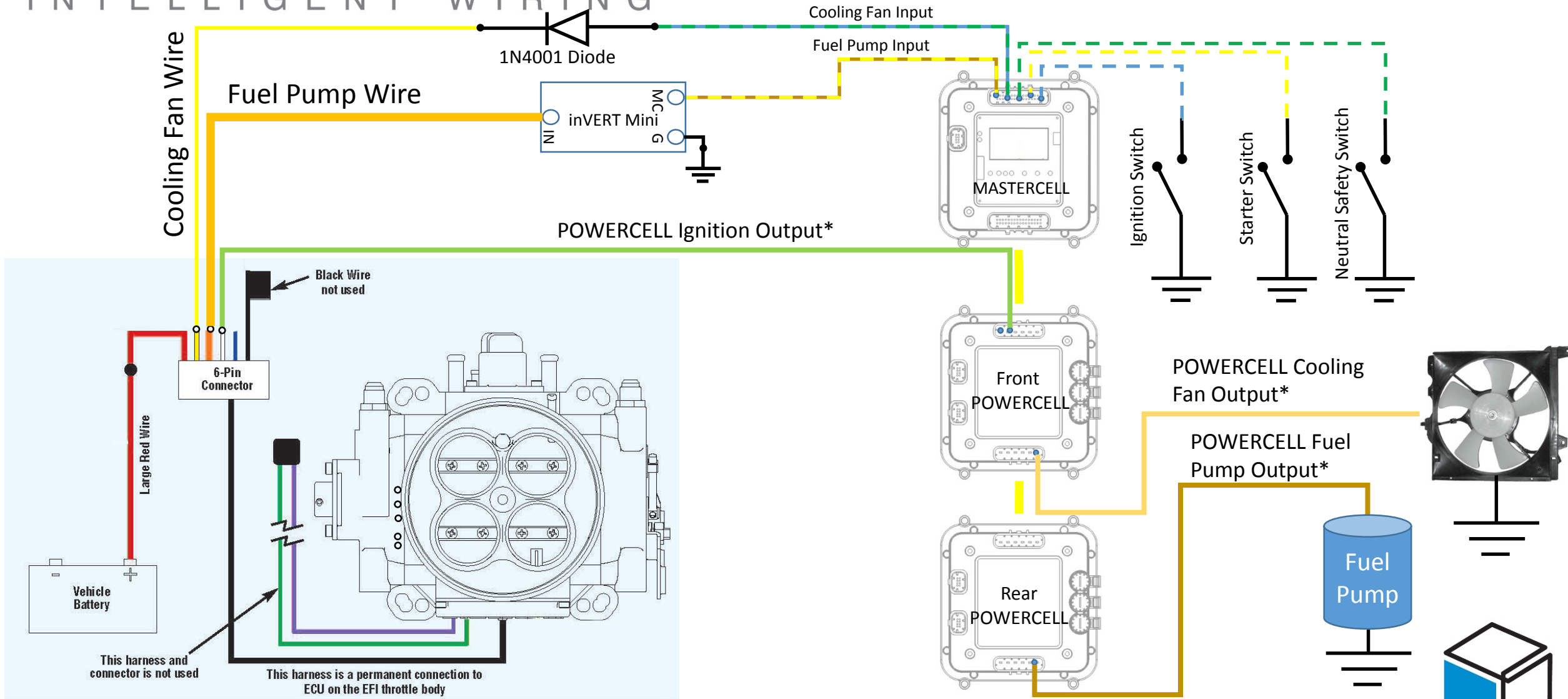


# Wiring FiTech Go EFI 1200



\*NOTE: Infinitybox wire Colors & Connector Positions will vary for different kits. See the Configuration Sheet that came with your kit for exact wire colors and locations.

\*\*NOTE: Read and understand the manual that came with your EFI system before wiring. Some wiring omitted for clarity.

