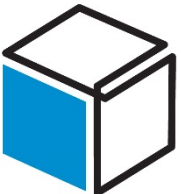
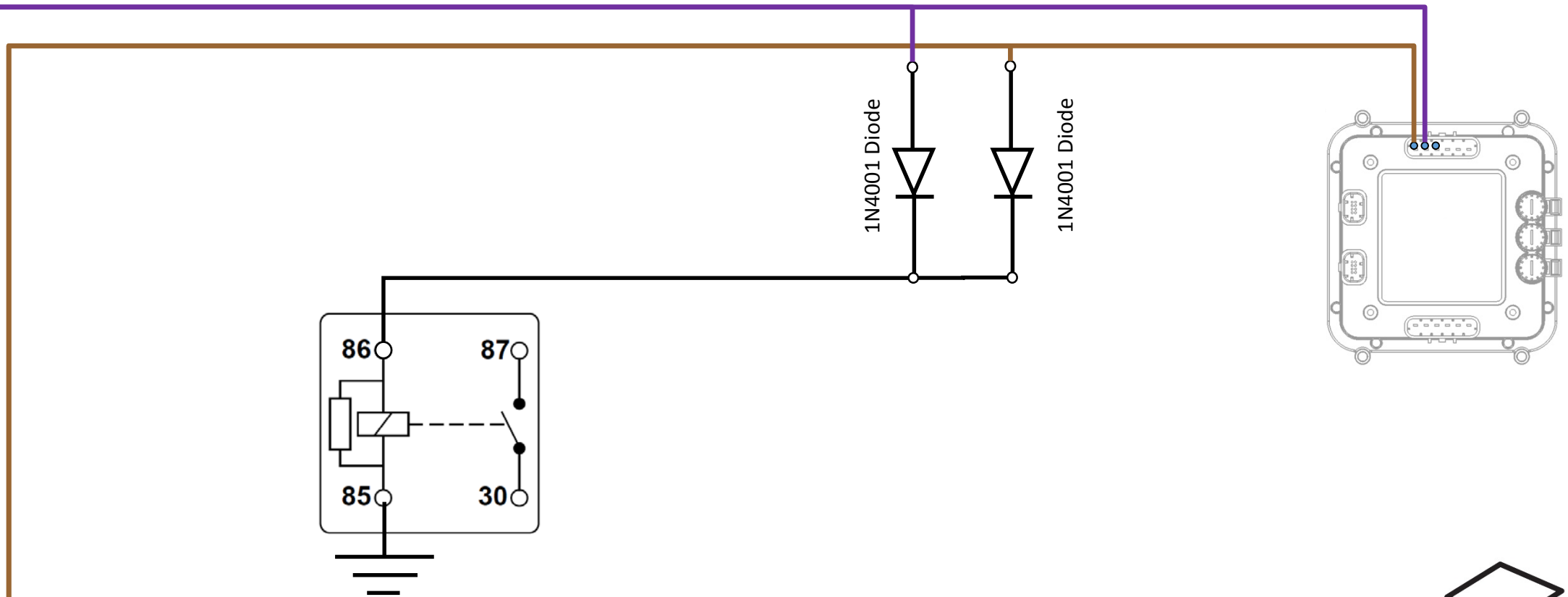


## Using a Relay to get Turn Signal Clicks



Front Right  
Turn Signal  
Indicator

Front Left  
Turn Signal  
Indicator



\*NOTE: Infitwire wire Colors & Connector Positions will vary for different kits. See the Configuration Sheet that came with your kit for exact wire colors and locations.

\*\*NOTE: MASTERCELL inputs must be ground switched. Applying 12-volts directly to an input will damage the MASTERCELL and void the warranty.